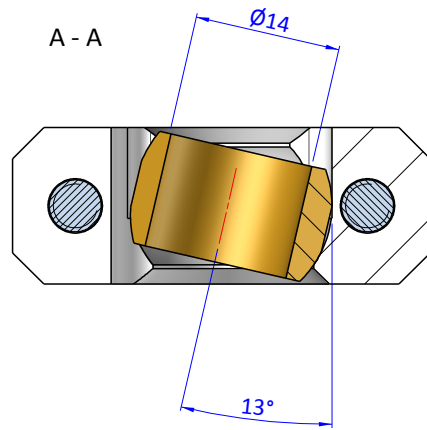
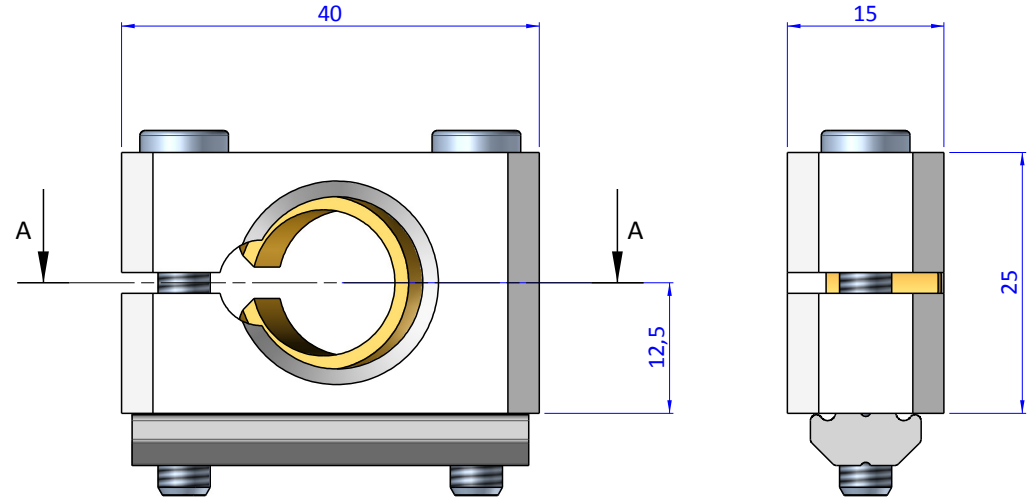
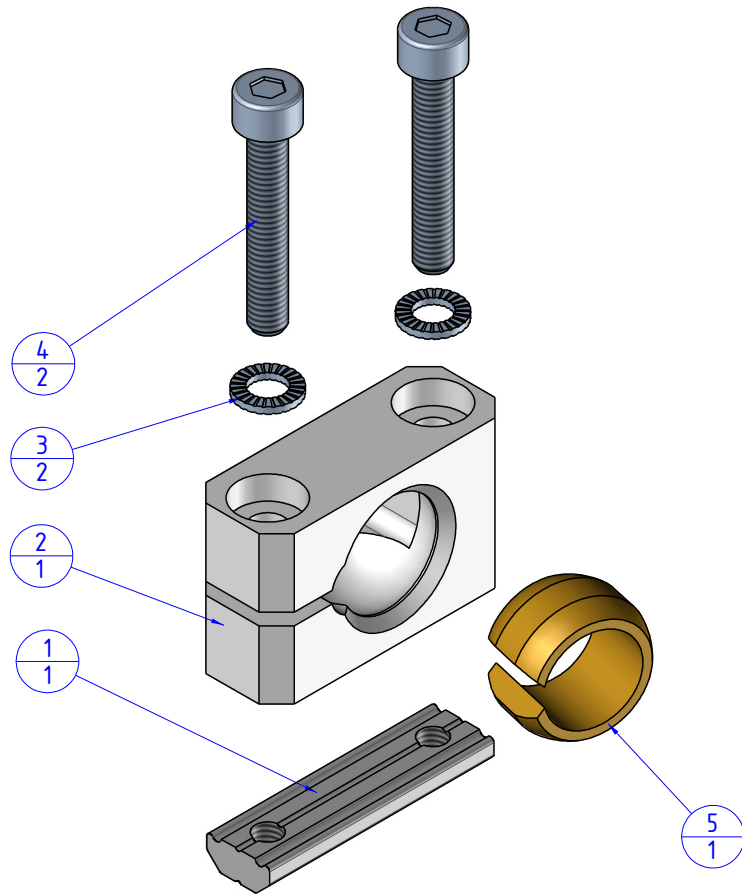


THE PROPERTY OF THE DRAWING IS ESTABLISHED BY LAW. IT IS FORBIDDEN TO PRODUCE OR SHOW IT TO THIRD PARTY, WITHOUT A WRITTEN AGREEMENT.

Item	Name	Q. ty
1	CA.GWP.5.28	1
2	KVB.KG.X14	1
3	R.5.SCH	2
4	V.TCE5x30	2
5	WSL.KG.X.14.3	1



Format A3

UNI 936-76

		DESIGNED FROM	REVIEW
		FP SERVICES	A
GENERAL TOLERANCE	DESCRIPTION	DATE	WEIGHT
UNI - ISO 2768	CA.KVB.KG.X14	30/04/2016	0,060kg
CLASSE f		CODE	CA.KVB.KG.X14